



- 1 - Liaisons parfaites plaque / châssis
- 2 - Hauts rebords - double paroi
- 3 - Brûleurs double rampe
- 4 - Bac récupérateur à niveau 0,7L
ouverture push & pull
- 5 - 3 manettes de commande microcrantées
- 6 - 4 pieds réglables



ENOSIGN 80 inox

REF: 570332014801
EAN: 3224780041238



6,3 KW

Surface cuisson : 69 x 40 cm

DESCRIPTION PRODUIT

- Plancha gaz 3 brûleurs
- Plaque en fonte émaillée
- Châssis inox de qualité marine
- Brûleurs double rampe
- Allumage électronique – sécurité thermocouple
- Énergie : propane / gaz naturel

LES OPTIONS

- Kit gaz naturel 530304
- Capots de protection
Inox CPS8001
Noir CPS8085
- Housse pop-up
HPI80

MEILLEUR
RENDEMENT
ÉNERGÉTIQUE

25%
d'économies

LES + PRODUIT

ENTRETIEN
FACILE

Émail
d'exception

RÉSISTANT À LA
CORROSION

Inox
qualité marine

CUISSON
PRÉCISE

de **80** à
360°C

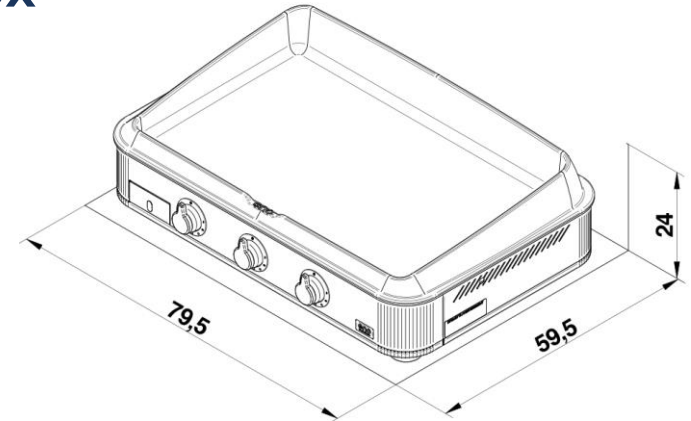
DESIGN
SIGNATURE

BY
ENO



propane

ENOSIGN 80 inox



| | |
|--------------------------------------------|---------------------------------------------------------------------|
| Code article | 570332014801 |
| Gencode | 3224780044727 |
| Nom article | ENOSIGN 80 cm Inox - Plancha Gaz 3 Bruleurs |
| Nb Personnes | 8/12 |
| Surface cuisson | 69 x 40cm / 27,16" x 15,74" |
| Homologation | ETL, ALIMENTAIRE, Longtime |
| Utilisation | Exterieur |
| Dim. Produit (H x L x P) | 23 x 79 x 57 cm / 9,06" x 31,1" x 22,44" |
| Dim. emballage (H x L x P) | 29 x 87 x 61 cm / 11,42" x 34,25" x 24,02" |
| Poids net | 40,5 kg / 89,3 lbs |
| Poids Emballé | 44,5 kg / 98,12 lbs |
| PCB | 1 |
| Nb colis/article | 1 |
| Nb pces/pal | 12 |
| Energie | Gaz butane / propane / gaz naturel |
| Type branchement | G1/2 |
| Nb brûleurs | 3 |
| Puissance bruleurs kW | 6,3 kW / 21496 BTU/h |
| Consommation | 458 g/h |
| Allumage | Electronique 1 main |
| securité | thermocouple |
| Plaque | Fonte emaillee |
| Revêtement plaque | Email multicouche, finition lisse |
| Détails plaque | Rebords hauts a double paroi, goulotte d'evacuation des jus |
| Châssis | Inox 304L |
| Protection | Finition marine |
| Coloris | Poli |
| Détails | Double paroi, 4 pieds réglables, tiroir recuperateur de jus en inox |
| Garanties: plaque, brûleurs, autres pieces | |
| Origine | Origine France Garantie |
| Ecotaxe DEEE HT | |
| Taxe Ecomobilier HT | |
| Taux TVA | 20% |
| Code douanier | 73211190 |
| Notice | 85563.pdf |



- 1 - Perfect connections between plate and frame
- 2 - High edges - double wall
- 3 - Double-ramp burners
- 4 - Level drip tray 0,7L push & pull opening
- 5 - 3 micro-serrated control knobs
- 6 - 4 adjustable feet



ENOSIGN 80 stainless steel

REF: 570332014801
EAN: 3224780041238



Cooking area : 69 x 40 cm

PRODUCT DESCRIPTION

- 3-burners gas griddle
- Enamelled cast iron plate
- Marine-grade stainless steel frame
- Double-ramp burners
- Electronic ignition - thermocouple protection
- Energy : propan / natural gas

OPTIONS

- Natural gas kit 530304
- Protective lid Inox CPS8001
Noir CPS8085
- Cover trolley HPI80

+ PRODUCT

BETTER ENERGY
EFFICIENCY

25%
savings

EASY TO
CLEAN

Exceptional
enamel

CORROSION
RESISTANT

Marine-grade
stainless steel

PRECISE
COOKING

80 to
360°C

SIGNATURE
DESIGN

BY
ENO



ENOSIGN 80 stainless steel

| | |
|----------------------------|----------------------------------------------------------------------|
| # article | 570332014801 |
| Gencod | 3224780044727 |
| Article name | ENOSIGN 80 cm Stainless - Plancha Gas 3 Burners |
| Description | 3 burners gas griddle Enosign 80 |
| Capacity | 8/12 |
| Cooking Area | 69 x 40cm / 27,16" x 15,74" |
| Certification | ETL, FOOD CONTACT, Longtime_en |
| Usage | Outdoor |
| Product dim.(H x L x P) | 23 x 79 x 57 cm / 9,06" x 31,1" x 22,44" |
| Packaging dim. (H x L x P) | 29 x 87 x 61 cm / 11,42" x 34,25" x 24,02" |
| Net weight | 40,5 kg / 89,3 lbs |
| Gross weight | 44,5 kg / 98,12 lbs |
| Per outer | 1 |
| Nb box/SKU | 1 |
| Nb SKU/pal | 12 |
| Energy | Gas butan / propan / NG |
| Connexion | G1/2 |
| Nb burners | 3 |
| Output | 6,3 kW / 21496 BTU/h |
| Consumption | 458 g/h |
| Ignition | Electronic 1 hand |
| Safety | thermocouple |
| Plate | Cast enamelled plate |
| Plate coating | Smooth multilayer enamel |
| Plate details | High anti-splash and double wall rims, channel for recovering juices |
| Frame | Stainless steel 304L |
| Coating | Marine finish |
| Colour | Polished |
| Details | Double wall, 4 adjustable legs, stainless steel juice collector tray |
| Waranty | |
| Manufacturing origin | Origine France Garantie |
| User manual | 85563.pdf |
| Customs code | 73211190 |

